

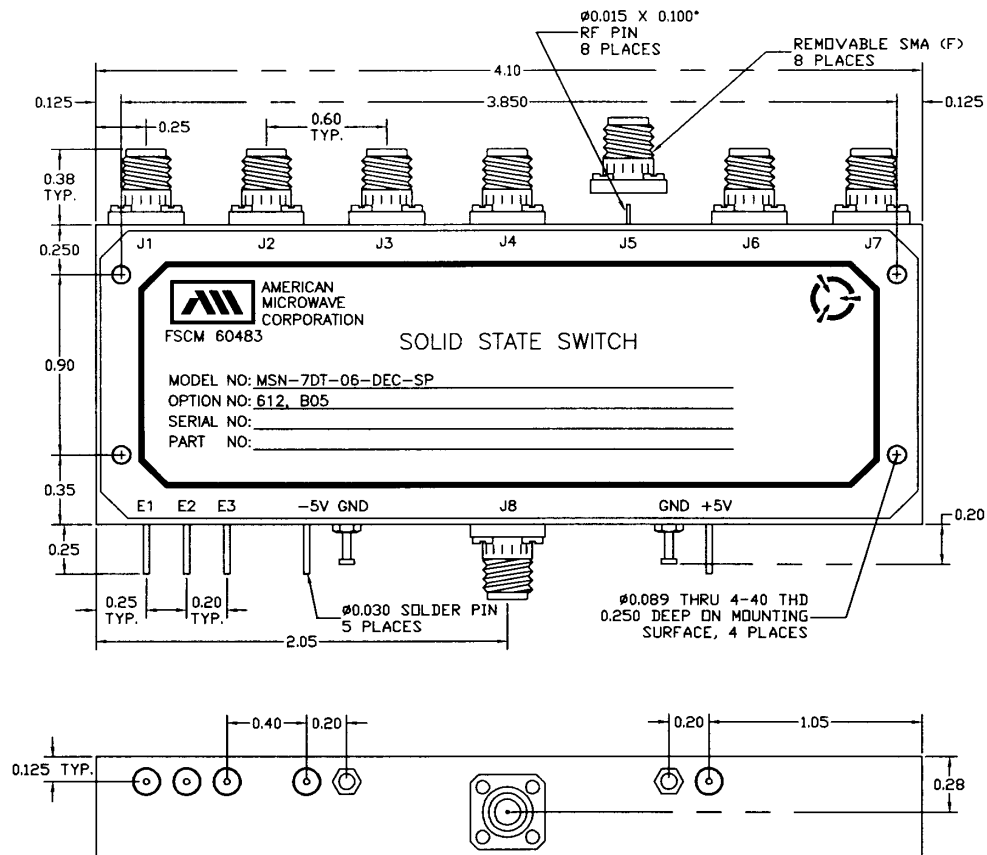
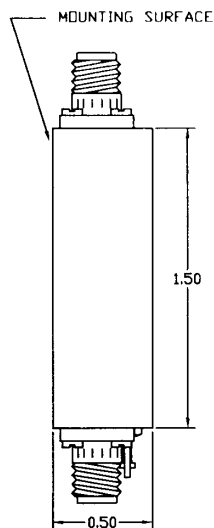
DESCRIPTION:

AMC MODEL MSN-7DT-06-DEC-SP OPTION 612, B05 IS A SINGLE POLE SEVEN THROW, ABSORPTIVE/NON-REFLECTIVE SWITCH MODULE WITH VERY HIGH ISOLATION, LOW INSERTION LOSS AND WITH INTEGRAL TTL DRIVER, DESIGNED FOR THE 6 TO 12 GHz BANDWIDTH.

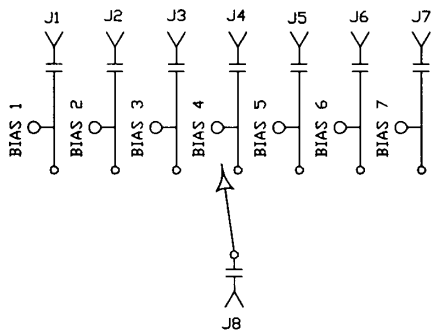
REVISIONS				
ZONE	REV.	DESCRIPTION	DATE	APPROVED
-	-	ORIGINAL JOB# 003059E-2	05/20/00	

SPECIFICATIONS:

- **FREQUENCY:** 6 GHz TO 12 GHz
- **INSERTION LOSS:** 3.5db TYPICAL, 4.0db MAX.
- **ISOLATION:** 6 GHz TO 12 GHz: 100dB
ABSORPTIVE IN/OUT: 2.0:1
ABSORPTIVE OUT/OFF: 2.0:1
- **VSWR:**
- **SPEED:** DELAY ON: 20ns MAX.
DELAY OFF: 20ns MAX.
- **CONTROL CONNECTORS:** SOLDER PINS
- **POWER INPUT:** +10 dBm (HIGH SPEED)
- **CONTROL:** TTL LOGIC "0"=ON "1"=OFF
- **POWER SUPPLY:** +5V @ 350 mA MAX.
-5V @ 100mA MAX.
- **RF CONNECTORS:** SMA FEMALE
- **SIZE:** 1.50 (L) X 4.10 (W) X 0.50 (H)
- **WEIGHT:** 5.5 OUNCES TYPICAL



BLOCK DIAGRAM



ENVIRONMENTAL RATINGS:

- **TEMPERATURE:** -55°C TO +85°C (OPERATING)
-65°C TO +125°C (STORAGE)
- **HUMIDITY:** MIL-STD-202F, METHOD 103B COND. B
- **SHOCK:** MIL-STD-202F, METHOD 213B COND. B
- **VIBRATION:** MIL-STD-202F, METHOD 204D COND. B
- **ALTITUDE:** MIL-STD-202F, METHOD 105C COND. B
- **TEMPERATURE CYCLE:** MIL-STD-202F, METHOD 107D COND. A

NOTE: THE ABOVE SPECIFICATIONS ARE SUBJECT TO CHANGE OR REVISION

ALL DIMENSIONS ARE IN INCHES
TOLERANCES:
X.XX ±0.020
X.XXX ±0.010

CONFIDENTIAL AND PROPRIETARY

PART NO.		AMERICAN MICROWAVE CORPORATION FREDERICK, MARYLAND		
APPROVALS	DATE	TITLE		
DRAWN <i>WLP</i>	05/20/00	PRODUCT FEATURE MSN-7DT-06-DEC-SP OPTIONS 612, B05		
CHECKED		SIZE	FSCM NO.	DWG NO.
ISSUED		A	60483	100-5424
		SCALE	N/S	SHEET 1 OF 3